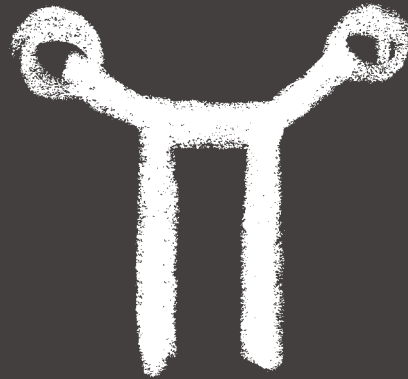


The sign of the Diagon





„Das Zeichen des Diagon ist sein Lehnenträger - quasi ein funktionales Ornament.“

“The sign of the Diagon is its backrest support - effectively a functional ornament.”

Burkhard Vogtherr, Designer





diagon standard



Design	Ausführung / Version	Rücken / Backrest	Sitz / Seat	Armlehnen / Armrests
Burkhard Vogtherr	Standard Standard	Netz, Bandgeflecht, Stoff, Leder Mesh, woven bands, textile, leather	Netz, Stoff, Leder Mesh, textile, leather	Alu-Ring fest, 2D-Ring, 2D-T, 3D-T, 4D-T Alu-ring fixed, 2D-ring, 2D-T, 3D-T, 4D-T

diagon medium



Design

Burkhard Vogtherr

Ausführung / Version

Medium
Medium

Rücken / Backrest

Netz, Bandgeflecht, Stoff, Leder
Mesh, woven bands, textile, leather

Sitz / Seat

Netz, Stoff, Leder
Mesh, textile, leather

Armlehnen / Armrests

Alu-Ring fest, 2D-Ring, 2D-T, 3D-T, 4D-T
Alu-ring fixed, 2D-ring, 2D-T, 3D-T, 4D-T





diagon high



Design	Ausführungen / Versions	Rücken / Backrest	Sitz / Seat	Armlehnen / Armrests
Burkhard Vogtherr	Hoch, Hoch mit Kopfstütze High, high with headrest	Netz, Bandgeflecht, Stoff, Leder Mesh, woven bands, textile, leather	Netz, Stoff, Leder Mesh, textile, leather	Alu-Ring fest, 2D-Ring, 2D-T, 3D-T, 4D-T Alu-ring fixed, 2D-ring, 2D-T, 3D-T, 4D-T



diagon cantilever chair



Design

Burkhard Vogtherr

Ausführungen / Versions

Standard, Medium
Standard, medium

Rücken / Backrest

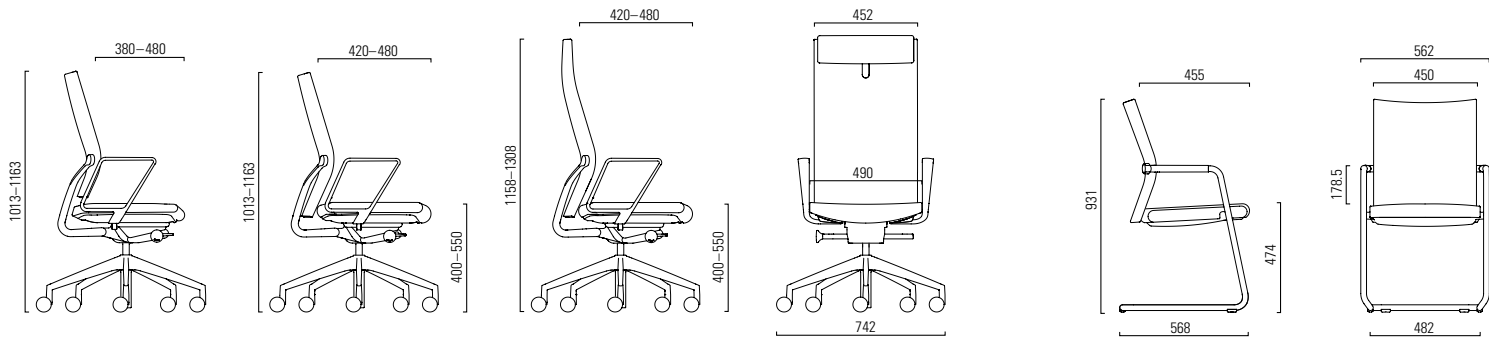
Netz, Bandgeflecht, Stoff, Leder
Mesh, woven bands, textile, leather

Sitz / Seat

Netz, Stoff, Leder
Mesh, textile, leather

Armlehnen / Armrests

Polycarbonat, Leder
Polycarbonate, Leather



Girsberger AG, Bützberg, CH
 Girsberger AG, Wien, A
 Girsberger France, Paris, F
 Girsberger GmbH, Endingen, D
 Girsberger UK, London, GB
 Girsberger España, Madrid, E
 Girsberger Benelux BV, Amsterdam, NL
 Tuna Girsberger Tic. AS, Silivri, TR

mail@girsberger.com
 www.girsberger.com

girsberger